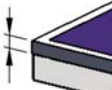
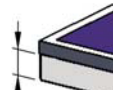
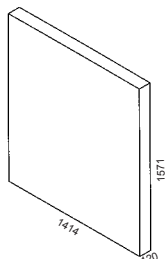


300 m 300 OUTDOOR

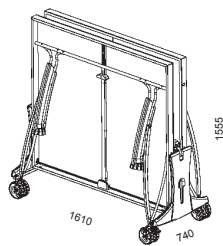


- Réf 133905 Outdoor Bleu / Blue
- Réf 133907 Outdoor Grise / Grey
- Réf 133906 Outdoor Vert / Green
- Réf 133915 Outdoor Bleu / Blue

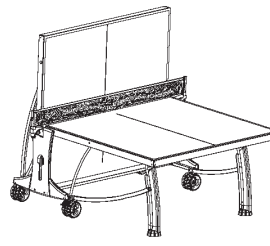
		DSI	MAT TOP
		<input checked="" type="checkbox"/>	<input checked="" type="checkbox"/>
5mm	47mm	<input checked="" type="checkbox"/>	<input checked="" type="checkbox"/>
5mm	47mm	<input checked="" type="checkbox"/>	<input checked="" type="checkbox"/>
5mm	47mm	<input checked="" type="checkbox"/>	<input checked="" type="checkbox"/>
5mm	47mm	<input checked="" type="checkbox"/>	<input checked="" type="checkbox"/>



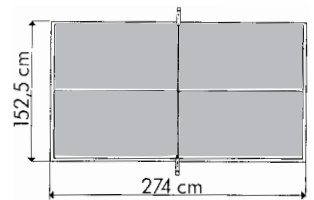
Outdoor: 74 kg



Outdoor: 61 kg



PLAY-BACK



GENERAL

ENGLISH

Thank you for choosing a Cornilleau Table Tennis Table, and we would like to give you some advice for the best use of your table. Prior to assembly or use, please read these instructions carefully.

STANDARD : This table conforms to the following standards: EN NORM 14468-1

GAME : Manuals on how to play table tennis as a sport are available on www.cornilleau.com (Heading : F.A.Q.)

SAFETY ATTENTION :



Any person handling or using this table must follow the instructions opposite and read this notice. The person in charge of assembling and using this table must ensure that the recommendations for use given in this notice are seen by all users. In communal use, it is strongly recommended that the instructions and diagrams are displayed.



- Only use this table after it has been fully assembled, and after checking that the safety systems are working properly.
- Users must report any defects and faults in the safety systems
- Replace Immediately faulty parts and not use the table until it has been fully repaired.
- Assembly, positioning and storage must be carried out by an adult or under the direct supervision and responsibility of an adult.

• Do not leave children unattended around the table. By their very nature, children love playing and if they use the table tennis table for other purposes, they may put themselves in danger or unforeseeable situations. The manufacturer will not be liable for any injury caused through misuse of the table.

ASSEMBLY

The table must be assembled by at least 2 adults following the numerical order of the assembly instructions. Before assembling, please check that all the correct parts are contained in the package. The quantities indicated make it possible to go through the operations necessary for each assembly stage. Use the tools recommended on page 11. **IMPORTANT :** It is essential to remove and dispose of the pins that hold the bolts at the time of assembly (Assembly stage no. 5).

PRECAUTIONS

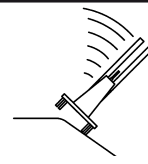


INDOOR OR OUTDOOR

Only **OUTDOOR** tables will withstand outside climatic conditions (rain, humidity, frost, sun, etc.). Even with a cover, **INDOOR** tables can be damaged if used or stored outside.



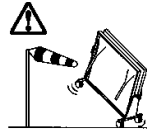
For models with these options, do not leave balls and bats in the appropriate racks when the table remains outside.



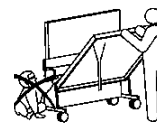
Moving the table on a sloping surface may cause the table to tip over, damage it or, more seriously, lead to injury. Take the necessary precautions.



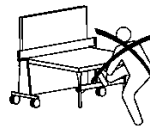
Do not sit or stand on the table, because of the risk of collapse.



Wind may make the table tip over, damage it or, more seriously, cause personal injury. Take the necessary precautions.



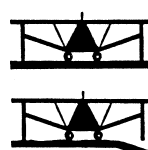
Risk of pinching whilst handling.



Do not use the crossbeam or legs as support when pulling the release over.



It is recommended that you use our protective cover, which will provide additional safety for your children.



On uneven surfaces, one or more legs may not rest on the ground. It is recommended that the table is moved to a more level surface or else wedge the legs.

HANDLING



TO LOWER THE LEAVES

- 1) Lift the red handle to release; maintain this action whilst the leaf is being lowered.
- 2) Lower the leaf down to the game position. Do not allow it to fall, as this might damage your table.
- 3) For improved safety and greater playing convenience, check that the second locking level is engaged. Failing this, raise the tabletop from each side of the net.



TO LIFT THE TABLETOPS

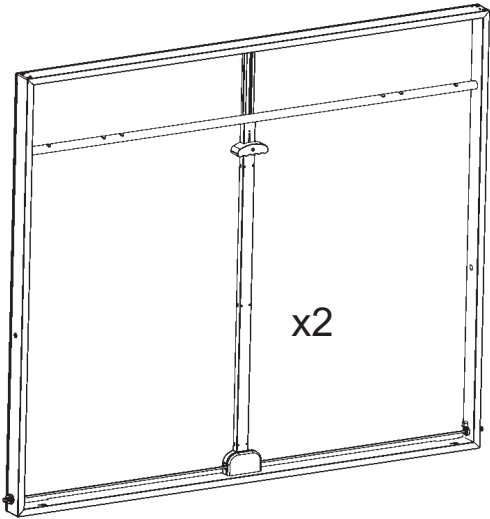
- 1) Pull the red handle under the tabletop to release; maintain this action whilst the tabletop is being lifted.
- 2) Lift the tabletop up to its storage position.
- 3) For your safety, check that the tabletop is properly locked.

AFTER-SALES

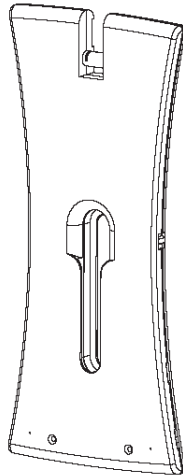
Keep these instructions and refer to them during maintenance operations and when ordering spare parts from the parts list on the last page. To facilitate processing of orders for spare parts, indicate the type of table and the series number to be found on the underside of the tabletop in the top left hand corner. For maintenance on the gamesurface, do not use aggressive products (abrasives, solvents or acids); we recommend our regenerative cleaner.

WARRANTY

All tables manufactured by us come with a 3-YEAR warranty as from the date of purchase. On resin tabletops for outdoor tables (Outdoor), the warranty is extended to 10 YEARS against deformation, separation and erasing of white lines. The warranty is limited to defective parts acknowledged as faulty by ourselves, and does not apply to damage caused by : For indoor and outdoor tables: Assembly not conforming to these instructions, not complying with the instructions for use and safety, normal wear of parts, lack of maintenance, use of aggressive products, use of aggressive products for maintenance, wind causing the table to fall in the storage position, freewheeling or return to game position and, more generally, a cause detrimental to the quality of the table (impact, falls, etc.). For indoor tables: using abrasive plastic balls, prolonged exposure to the sun, excessive humidity and rain. The following are not covered under the warranty: Costs of carriage of faulty parts, visit by a technician, labour, indemnities in cash or in kind for immobilisation of the table during the warranty period. Any claim must indicate the type of table, the series number that is to be found on the underside of the tabletop and the part(s) in question, and it must be accompanied by a proof of purchase showing the date of purchase.



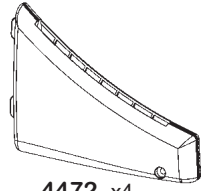
x2



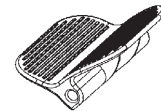
4467S7.9 x2



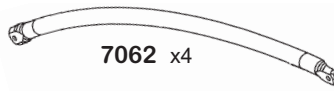
3234.8 x8



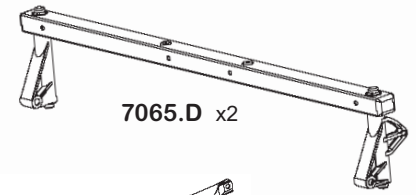
4472 x4



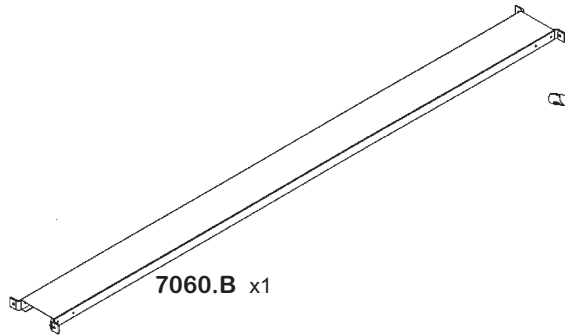
4465 x2



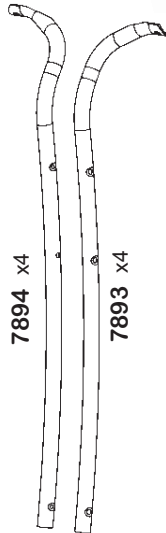
7062 x4



7065.D x2

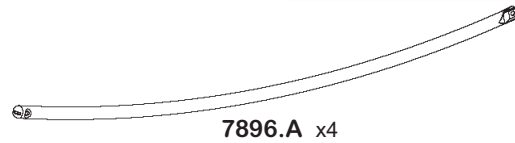


7060.B x1



7894 x4

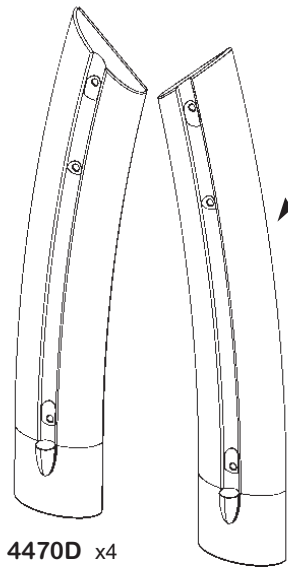
7893 x4



7896.A x4

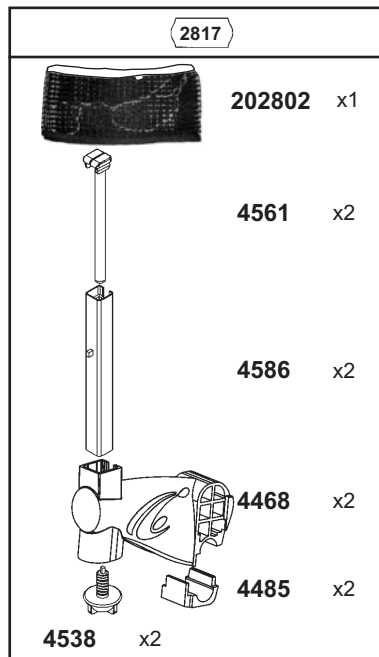


4480 x4



4470D x4

4470G x4



2817

202802 x1







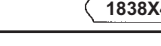





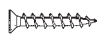

4561 x2

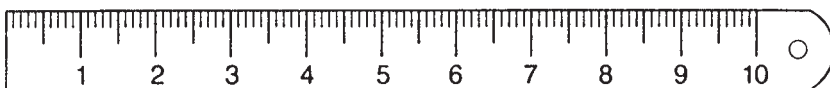
4586 x2

4468 x2

4485 x2

4538 x2

2735	
<p>1121X4</p>  <p>Ø8 1121 x4</p>	<p>1292X4</p>  <p>Ø6x15x15 1292 x4</p>
<p>1033X4</p>  <p>Ø8x80 1033 x4</p>	<p>1830X12</p>  <p>Ø6x35 1830 x12</p>
<p>1140X8</p>  <p>Ø6 1140 x8</p>	<p>1296X4</p>  <p>Ø6x15x21 1296 x4</p>
<p>1838X4</p>  <p>Ø6x80 1838 x4</p>	<p>1900X8</p>  <p>Ø6x74 1900 x8</p>
<p>1120X24</p>  <p>Ø6 1120 x24</p>	<p>1844X4</p>  <p>Ø6x110 1844 x4</p>
<p>2343X1</p>  <p>2343 x1</p>	<p>1843X4</p>  <p>Ø6x90 1843 x4</p>
<p>1402X2</p>  <p>Ø4x20 1402 x2</p>	<p>2204X2</p>  <p>2204 x2</p>





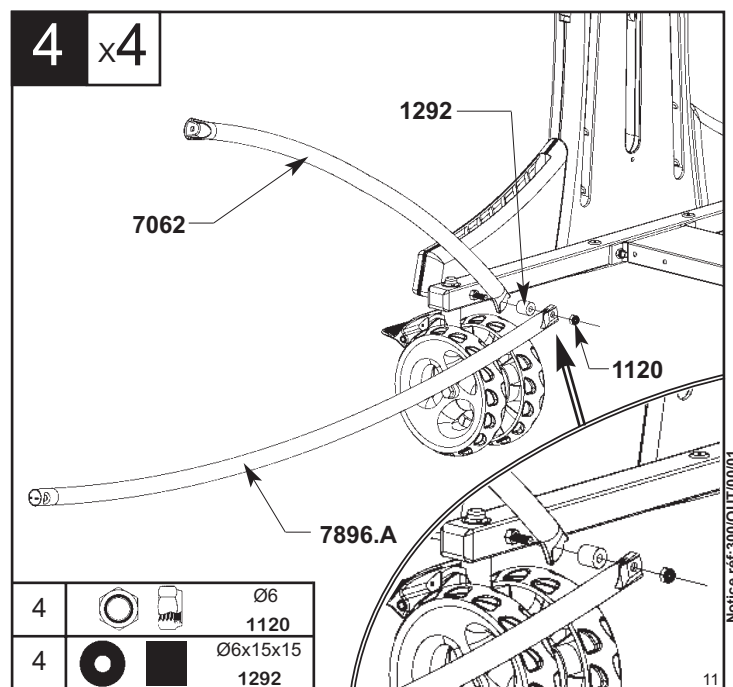
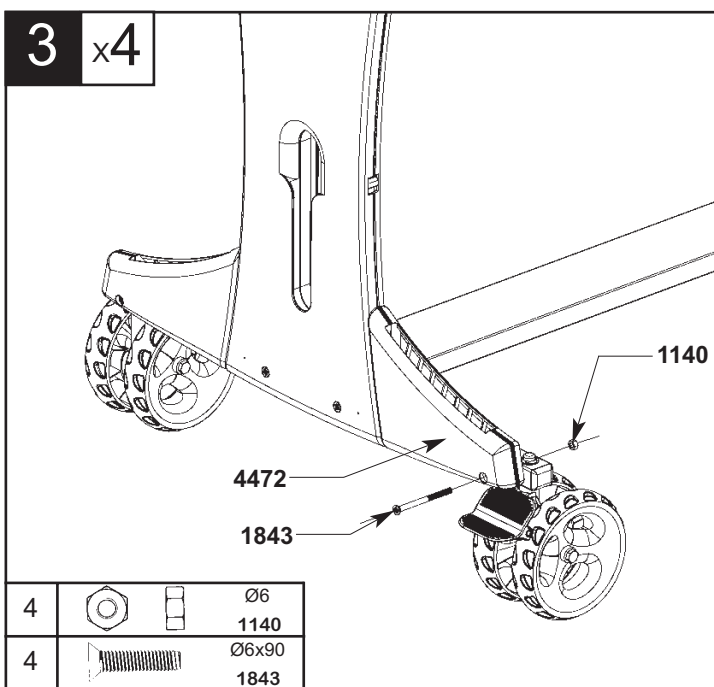
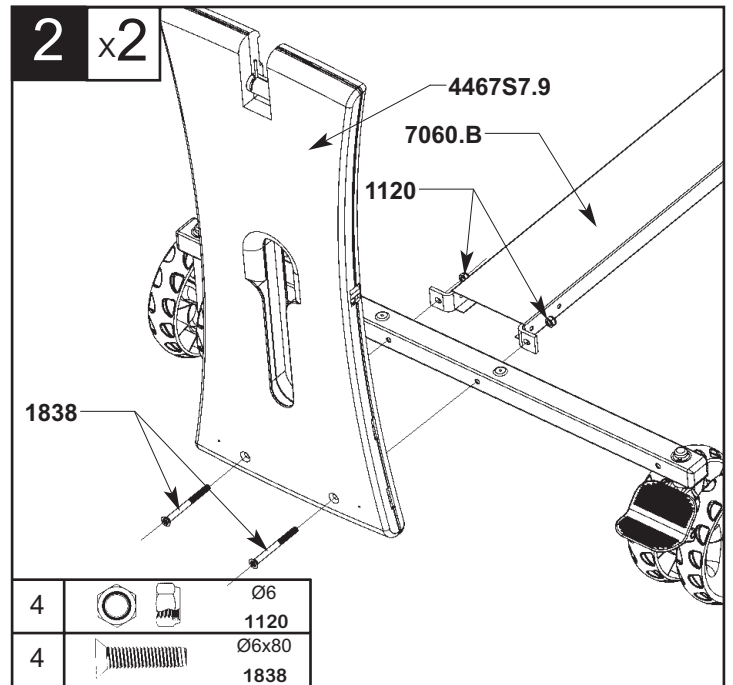
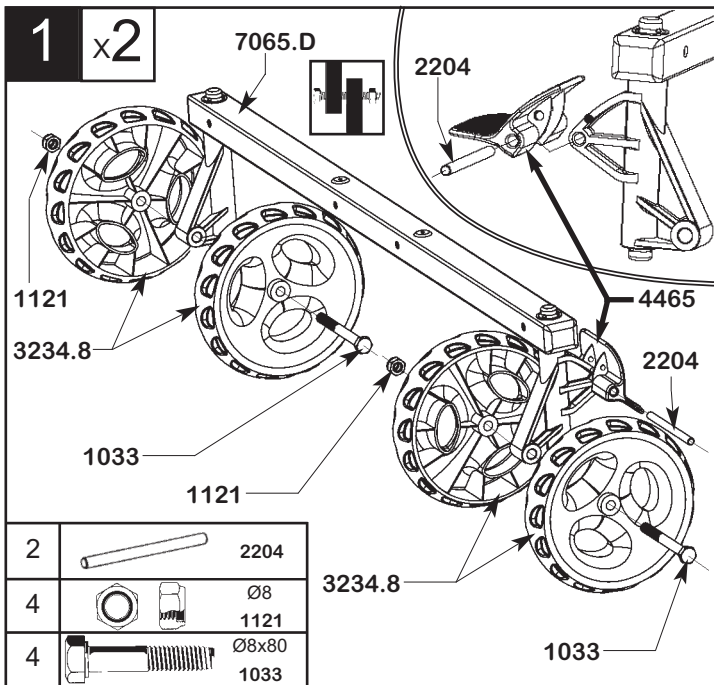
Montage de toutes les phases à 2 personnes. - Assembly during all stages with 2 people. - Für die Montage sind 2 Personen von Vorteil. - Montage van alle fasen met 2 personen. - Il montaggio richiede 2 persone in tutte le fasi. - Montaje de todas las fases a 2 personas. - Montagem de todas as fases com 2 pessoas - Συναρμολόγηση όλων των φάσεων με 2 άτομα - Minden összeszerelési szakaszt 2 személynek kell elvégezni - Montaż wszystkich etapów przez 2 osoby - Toate etapele de montare trebuie realizate de către 2 persoane - Všechny montážní kroky musejí provádět 2 osoby. - Сборка на всех стадиях должна производиться 2 лицами.



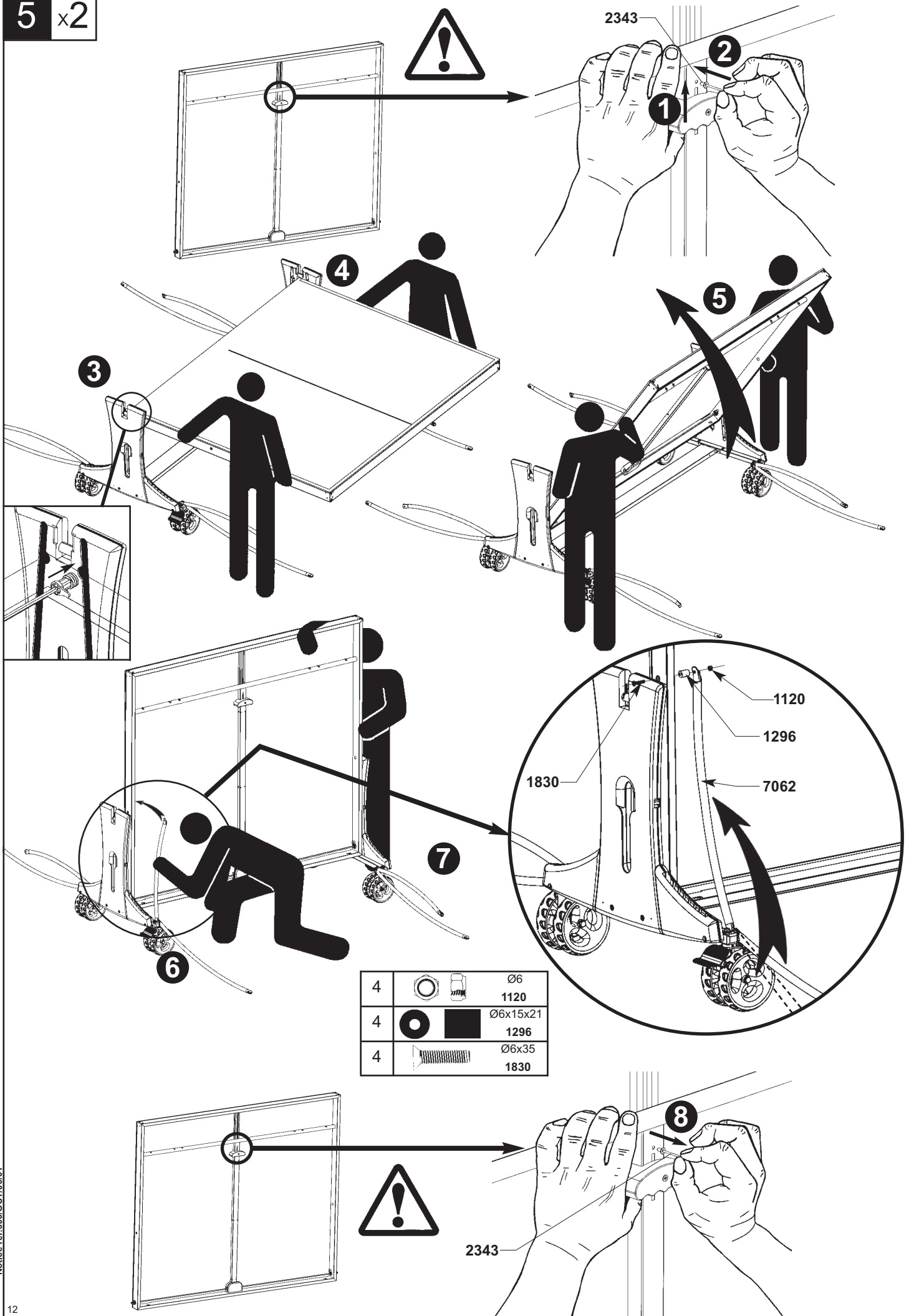
Laisser du jeu - Leave a little play - Es ist ein Spiel zu lassen - Laat wat speling - Lasciare del gioco - Dejar holgura - Deixar folga - Λασκάρετε - Hagyjon egy kis játékot - Pozostaw przerwę - Abandonarea/Cedarea jocului - Nechejte dostatečnou vůli. - Оставить зазор






Repetir l'opération (x) fois - Repeat operation (x) times - Wiederholen Sie diesen Vorgang (x) mal - deze handeling (x) maal herhalen - Operazione da ripetere (x) volte - Repetir la operacion (x) veces - Repetir a operação (x) vezes - Επαναλαμβάνετε τη πράξη (x) φορές - Ismételje meg a műveletet (x) alkalommal - Powtórz czynność (x) razy - Repetați operațiunea de (x) ori - Operaci (x) krát opakujte. - Повторить операцию (x) раз



5 x2



4		Ø6 1120
4		Ø6x15x21 1296
4		Ø6x35 1830

6 x2

7893, 7894, 1900, 1140, 1844, 4470D, 4470G, 1900, 1140, 4480, 1844, 1140, 4480, 1900

clac ! ↑ 5 ↓ clac !

4		Ø6 1140
4		Ø6x110 1844
8		Ø6x74 1900

7 x4

1120, 7895.A, 1120, 7895.A, 1120

4		Ø6 1120
---	--	------------

8 x4

1830, 1120, 1830, 1120

8		Ø6 1120
8		Ø6x35 1830

9 x2

4468, 4485, 1402

2		Ø4x20 1402
---	--	---------------

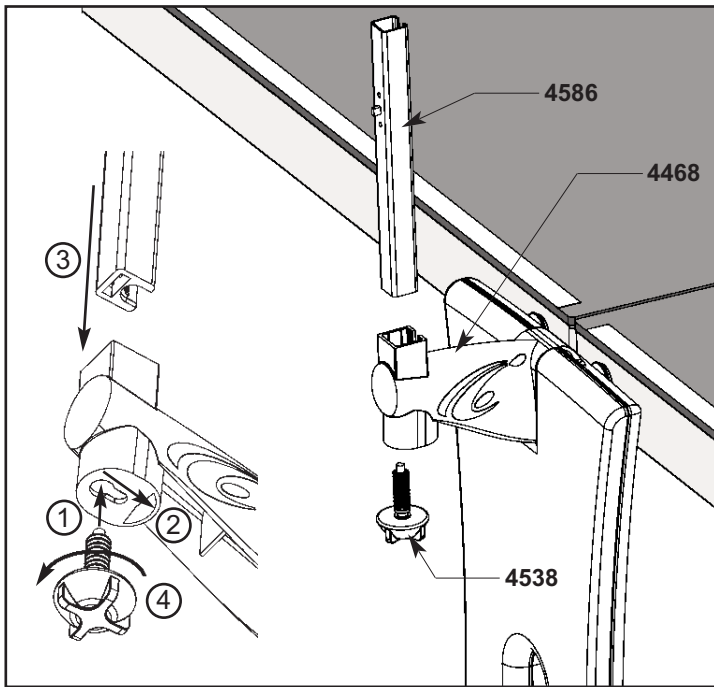
10 x2

4561, 202802, 4586, 4468, 4538

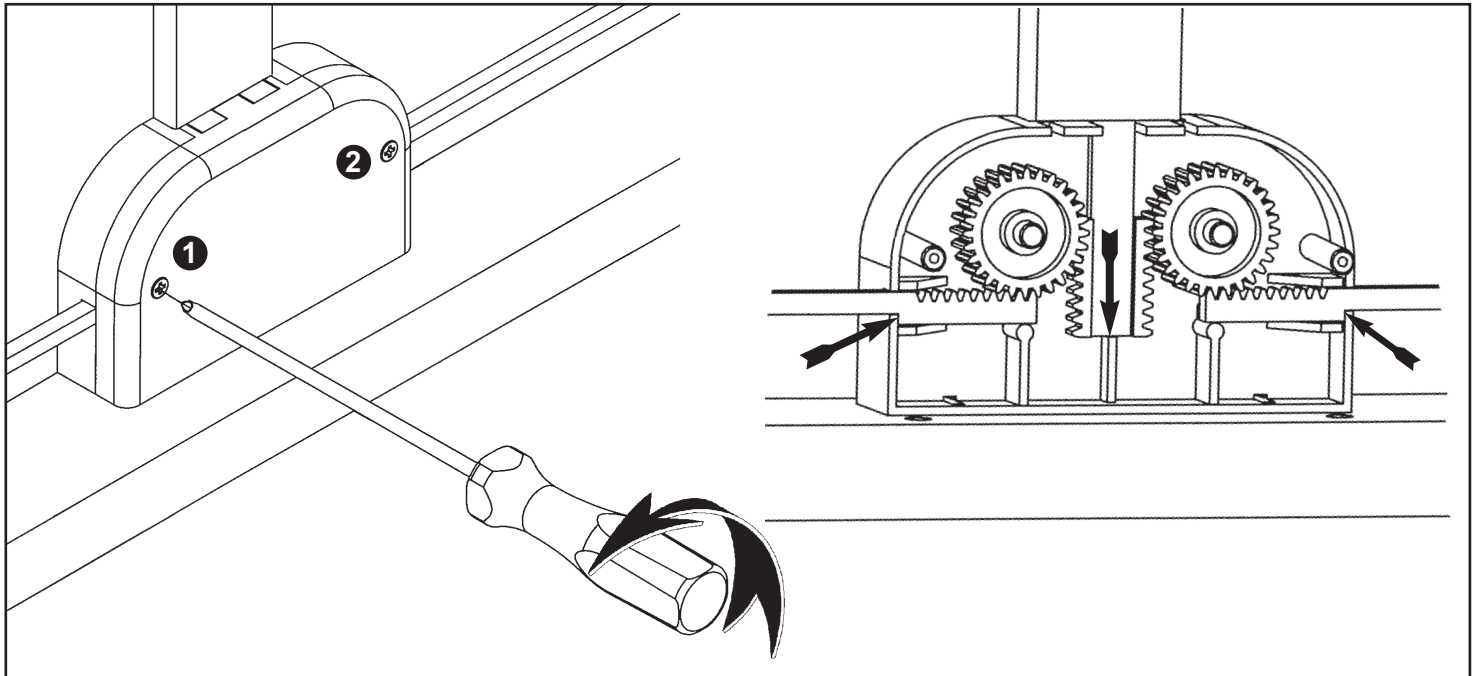
2 kg

Notice réf: 300/OUT/00/01

13



Remise en place du système de verrouillage en cas de dysfonctionnement - Repair of the locking system in case of malfunction - Öffnung des Verriegelungssystems für Reparatur - Reparatie (aleen indien) - Rimessa in ordine del sistema di chiusura in caso di malfunzionamento - ReparaciÒn (solamente si es necesario) - Colocação em posição do sistema de bloqueio no caso de disfunção - Αναθέτετε στη θέση το σύστημα κλειδώματος σε περίπτωση δυσλειτουργίας - A zárrendszer helyreállítása működési hiba esetén - Przywrócenie systemu blokady w przypadku niewłaściwego działania - Reglarea sistemului de blocare în caz de disfuncție - Nasazení zajišťovacího systému v případě špatného fungování stolu - Установить систему блокировки в случае функционального сбоя.

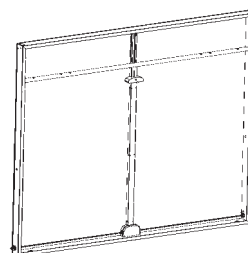
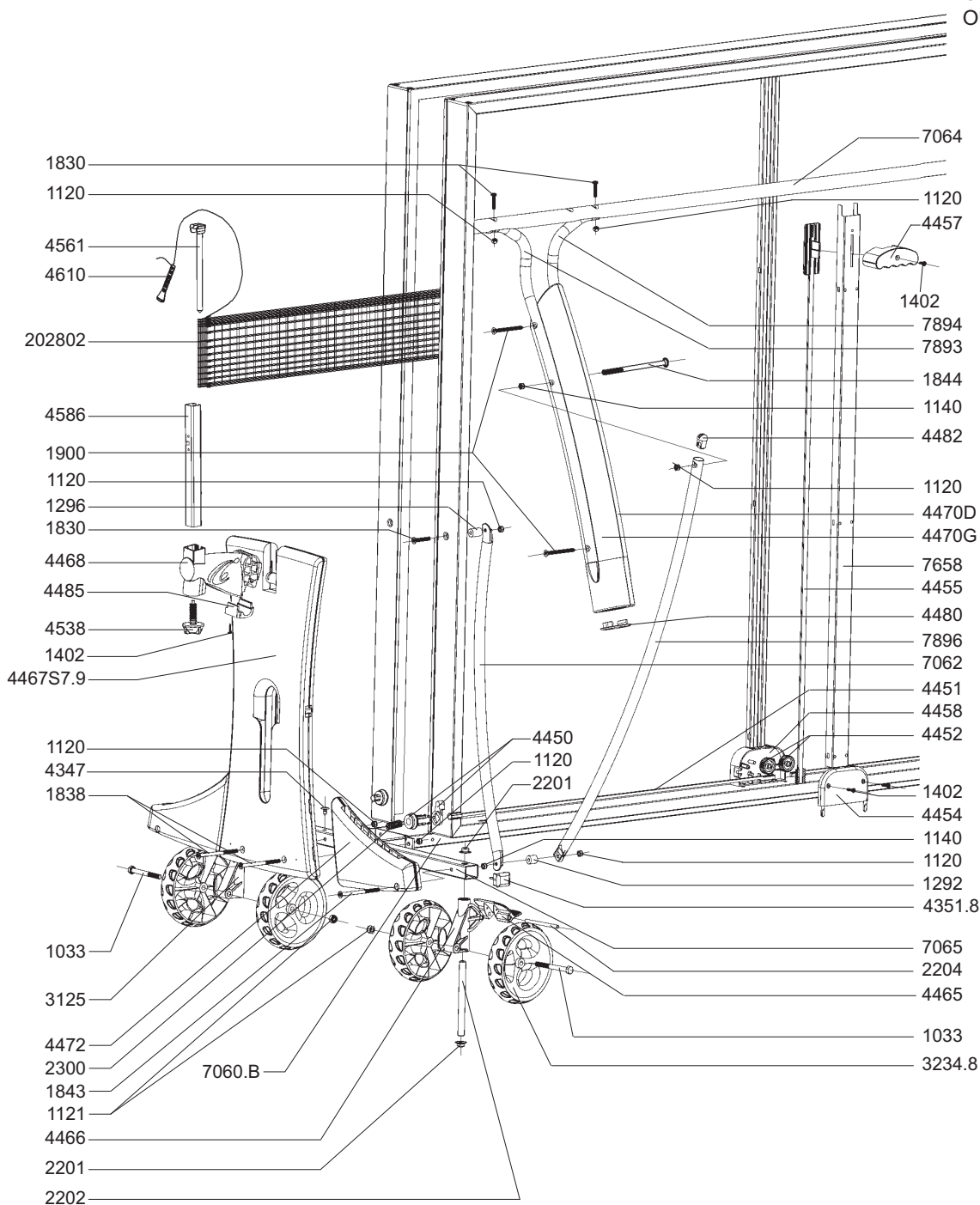


Réf 133905 Bleu / Blue
 Réf 133907 Gris / Grey
 Réf 133906 Vert / Green
 Réf 133915 Bleu / Blue

300 m 300 OUTDOOR

Nomenclature des pièces détachées - Spare parts list

OUTDOOR BLEU PL133905/1
 OUTDOOR GRIS PL133907/1
 OUTDOOR VERT PL133906/1
 OUTDOOR BLEU PL133915/1



	Ø8x80 1033
	Ø6 1140
	Ø6 1120
	Ø8 1121
	Ø6x15x15 1292
	Ø6x15x21 1296
	Ø4x20 1402
	Ø6x74 1900
	Ø6x35 1830
	Ø6x80 1838
	Ø6x90 1843
	Ø6x110 1844
	2300

Pour toutes vos pièces détachées
 For all your spare parts

www.cornilleau-services.com

cornilleau

CORNILLEAU SAS 14, route nationale - BP n°2
 F-60120 BONNEUIL-LES-EAUX - FRANCE